

4

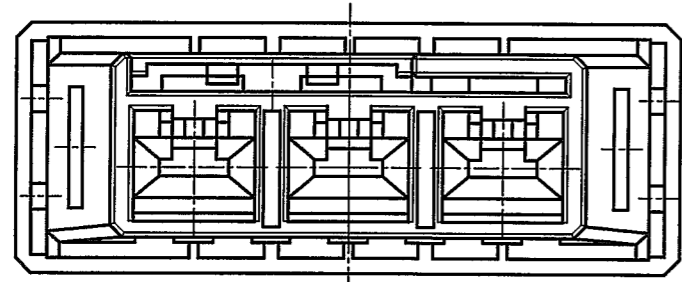
3

2

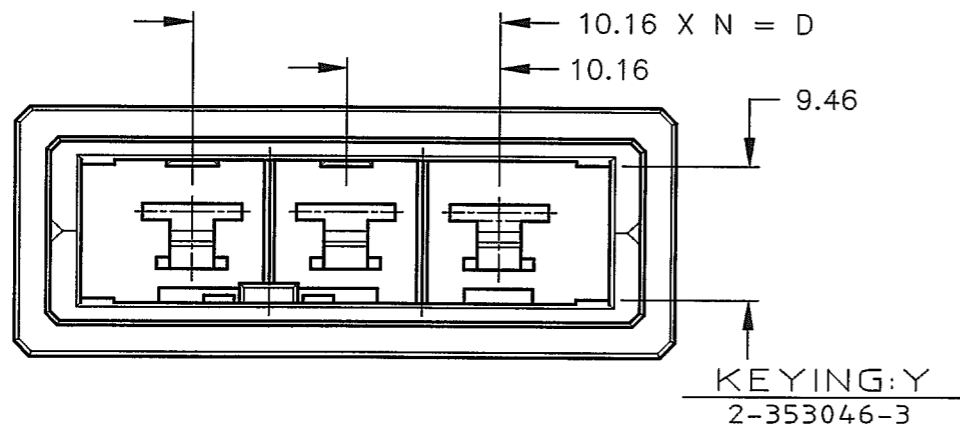
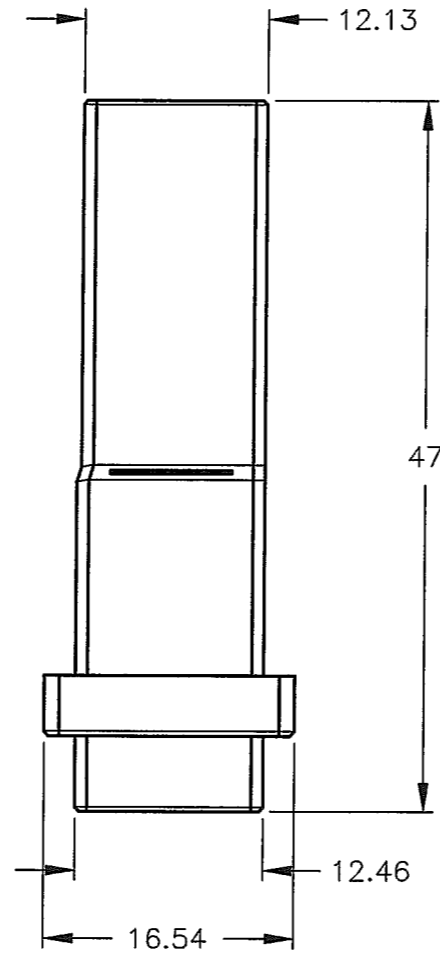
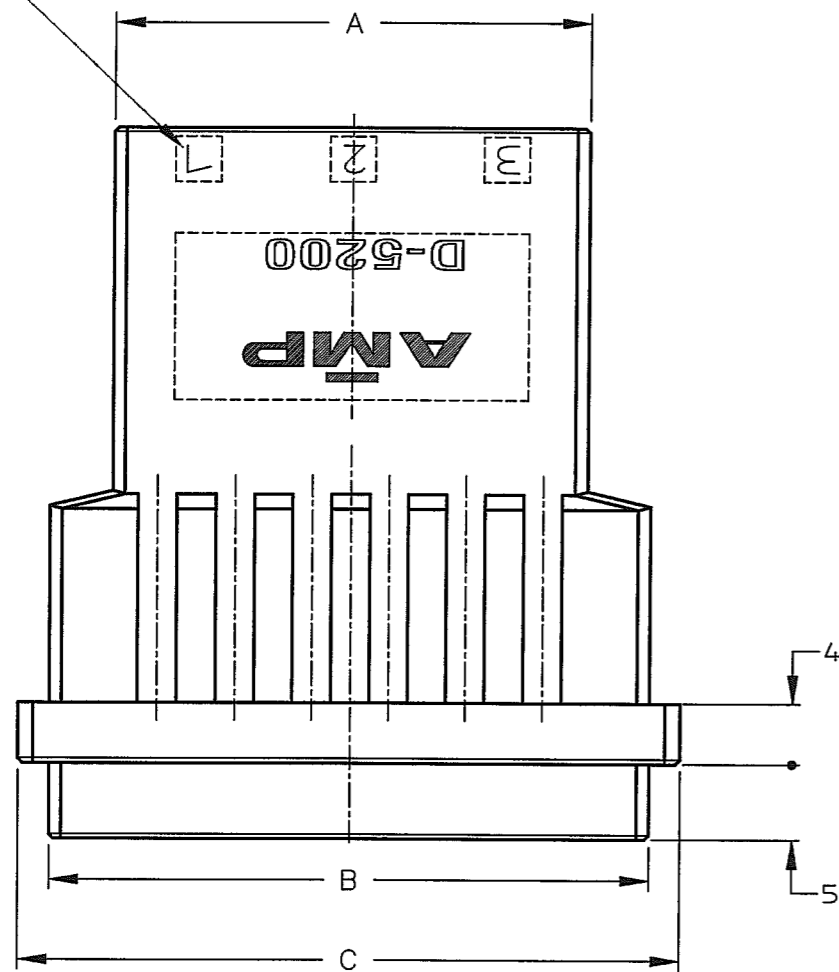
1

THIS DRAWING IS UNPUBLISHED. RELEASED FOR PUBLICATION .1996
 © COPYRIGHT 1996 BY AMP INCORPORATED, ALL RIGHTS RESERVED.

P	LTR	DESCRIPTION	ECN	DATE	DWN	APVD
	0	RELEASED	FJ00-4330-96	16/MAY '96	K.I	Y.I
	A	REVISED	FJ00-5532-96	7/JAN '97	K.I	Y.I
	B	REVISED	FJ00-0246-97	18/FEB '97	K.I	Y.I
	C	REVISED	FJ00-1335-97	18/FEB '97	K.I	I.H
	D	REVISED	FJD0-0108-04	29/MAR '04	T.S	D.M



CIRCUIT NO.
回路番号

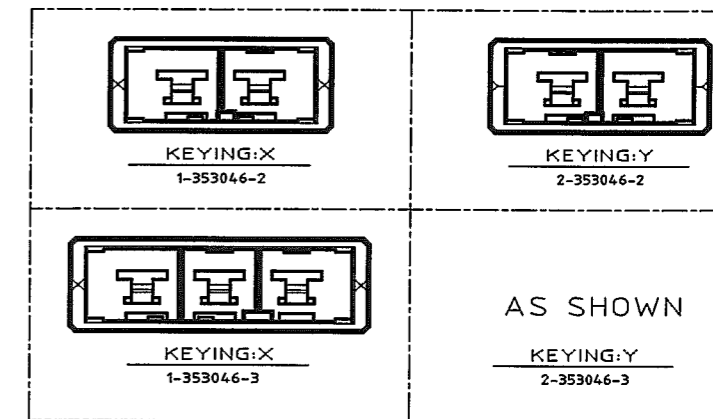


注記

△ 材料:ハウジング:ガラス入り熱可塑性
 ポリエステル樹脂 (94V-0),色:黒

NOTES

△ MATERIAL:HOUSING:GLASS FILED THERMO PLASTIC
 ,POLYESTER(94-V-0),COLOR:BLACK



							2-353046-3
31.27	39.52	43.6	20.32	2	3		1-353046-3
							2-353046-2
21.11	29.36	33.44	10.16	1	2		1-353046-2
A	B	C	D	N	POS		P/N

WIRE RANGE 適合電線断面積	INSULATION DIA 線径外径
T1	T1

THIS DRAWING IS A CONTROLLED DOCUMENT FOR AMP INCORPORATED. IT IS SUBJECT TO CHANGE AND THE CONTROLLING ENGINEERING ORGANIZATION SHOULD BE CONTACTED FOR THE LASTEST REVISION.		DWN K.IKEDA 16/MAY/'96	Tyco Electronics AMP K.K. Kawasaki, Japan									
DIMENSIONS: 単位 番 mm		CHK Y.Ishikawa 16/MAY/'96	NAME 名称 1列 タブ ハウジング フリーハンギング タイプ									
TOLERANCES UNLESS OTHERWISE SPECIFIED 一般公差		APVD S.Manabe 17/MAY/'96	PRODUCT SPEC 製品規格 108-5453									
<table border="1"> <tr><td>1φ</td><td>±0.2</td></tr> <tr><td>3φ</td><td>>10 : ±0.25</td></tr> <tr><td>10φ</td><td>>30 : ±0.3</td></tr> <tr><td>ANGLE</td><td>±0.3°</td></tr> </table>		1φ	±0.2	3φ	>10 : ±0.25	10φ	>30 : ±0.3	ANGLE	±0.3°	APPLICATION SPEC 取付適用規格 114-5206	SINGLE ROW TAB HSG (FREE HANGING) <DYNAMIC D-5200 S>	
1φ	±0.2											
3φ	>10 : ±0.25											
10φ	>30 : ±0.3											
ANGLE	±0.3°											
MATERIAL 材料	FINISH 仕上	WEIGHT T1	SIZE A3	CAGE CODE 00779								
△		CUSTOMER DRAWING	DRAWING NO 番号 C-353046	SCALE 尺度 2-1								
			SHEET 1 OF 1	REV D								